



www.revenaproducts.com

4915 SW Griffith Drive
Suite 302
Beaverton, OR 97005



Installation Guide



Model
VLS-WS2B

AV Component
Wall Shelf

Table of Contents

Warning and Caution Statements	1-2
Parts List	3
Installation Tools Needed (Recommended)	4
Wood Stud Installation	5-6
Dry Wall Installation	7
Cable Management	8
Technical Specifications	9
Warranty	10



Prior to the installation of this product, the installation instructions should be read and completely understood. The installation instructions must be read to prevent personal injury and property damage. Keep these installation instructions in an easily accessible location for future reference.



REVENA does not warrant against damage caused by the use of any REVENA product for purposes other than those for which it was designed or damage caused by unauthorized attachments or modifications, and is not responsible for any damages, claims, demands, suits, actions or causes of action of whatever kind resulting from, arising out of or in any manner relating to any such use, attachments or modifications.



Safety precautions must be taken at all times.

REVENA LIMITED LIFETIME WARRANTY



What and Who is Covered by this Limited Warranty and for How Long

REVENA warrants this product to be free from defects in material and workmanship for the lifetime of the original owner of this product. The limited warranty is valid only for the original purchaser of the product.

What Revena Will Do

At the sole discretion of REVENA, we will repair or replace any product or product part that is deemed defective. If REVENA chooses to replace a defective product or part, a replacement product or part will be shipped to you at no charge, but you must pay any labor costs.

What is Not Covered - Limitations

REVENA DISCLAIMS ANY LIABILITY FOR DAMAGE TO MOUNTS, ADAPTERS, DISPLAYS, PROJECTORS, OTHER PROPERTY, OR PERSONAL INJURY RESULTING, IN WHOLE OR IN PART, FROM IMPROPER INSTALLATION, MODIFICATION, USE OR MISUSE OF ITS PRODUCTS.

REVENA DISCLAIMS ALL OTHER WARRANTIES, EXPRESS OR IMPLIED, INCLUDING WARRANTIES OF MERCHANTABILITY AND FITNESS FOR A PARTICULAR PURPOSE. REVENA IS NOT RESPONSIBLE FOR INCIDENTAL OR CONSEQUENTIAL DAMAGES, INCLUDING BUT NOT LIMITED TO, INABILITY TO USE ITS PRODUCTS OR LABOR COSTS FOR REMOVING AND REPLACING DEFECTIVE PRODUCTS OR PARTS. SOME STATES DO NOT ALLOW THE EXCLUSION OR LIMITATION OF INCIDENTAL OR CONSEQUENTIAL DAMAGES, SO THE ABOVE LIMITATION OR EXCLUSION MAY NOT APPLY TO YOU.

What Customers Must Do for Limited Warranty Service

If you discover a problem that you think may be covered by the warranty, you **MUST REPORT** it in writing to the address below within thirty (30) days. Proof of purchase (an original sales receipt) from the original consumer purchaser must accompany all warranty claims. Warranty claims must also include a description of the problem, the purchaser's name, address, and telephone number. General inquiries can be addressed to REVENA Customer Service at 1-866-3REVENA (1-866-373-8362). Warranty claims will not be accepted over the phone or by fax.

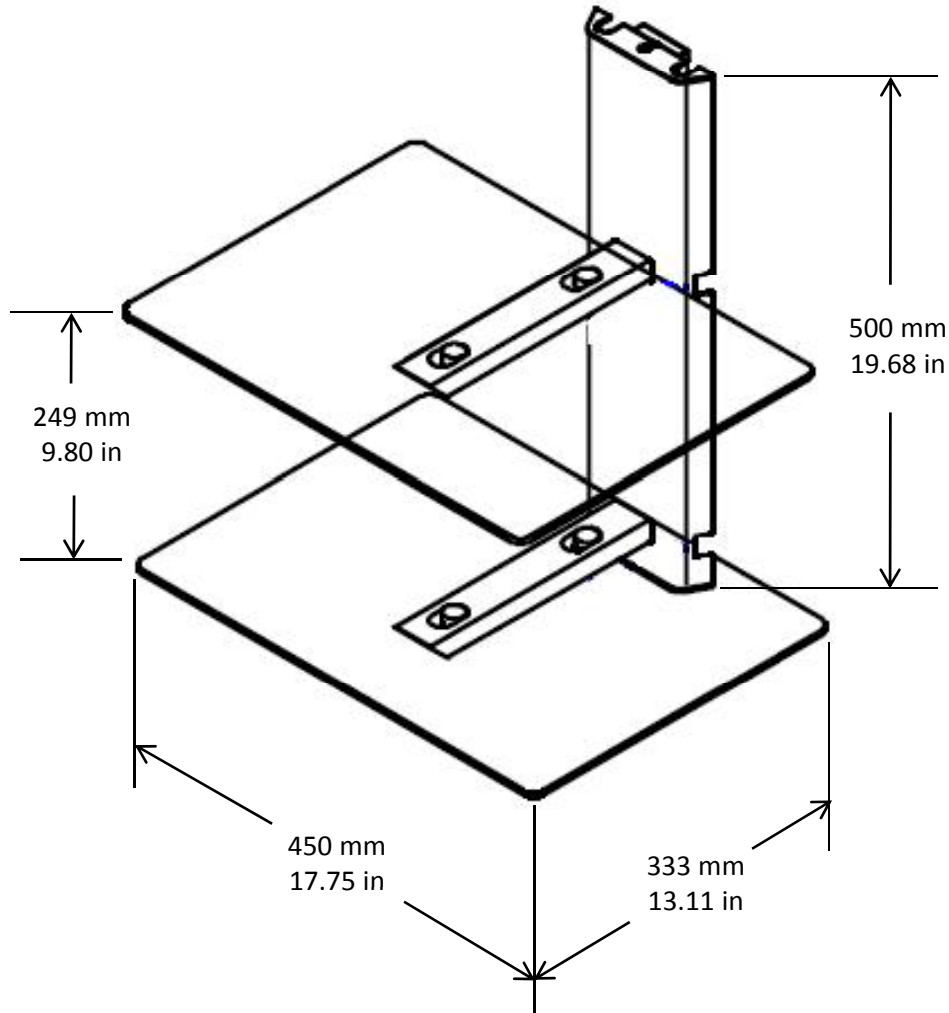
REVENA
Attn: Warranty Claim
4915 SW Griffith Drive
Suite 302
Beaverton, OR 97005

How State Law Applies

THIS WARRANTY GIVES YOU SPECIFIC LEGAL RIGHTS, AND YOU MAY ALSO HAVE OTHER RIGHTS WHICH VARY FROM STATE TO STATE.

Technical Specifications

Front View



Warning Statements

The surface must be capable of supporting at least five times the weight of the DVD Shelf. If not, the mounting structure must be reinforced. The maximum weight that can be used with this product is 50 lbs.

Proper installation procedure by a qualified service technician, as outlined in the installation instructions, must be adhered to. Failure to do so could result in serious personal injury, or even death.

Safety measures must be practiced at all times during the assembly of this product. Use proper safety gear and tools for the assembly procedure to prevent personal injury.

Caution Statements



It is recommended that a maximum of 5/8" plaster board be used when mounting to wooden studs.



Do not install on a surface that is prone to vibration, movement, or chance of impact. Failure to do so could result in damage to the DVD Shelf and/or damage to the mounting surface.



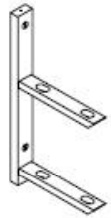
Do not install near heater, fireplace, direct sunlight, air conditioning or any other source of direct heat energy. Failure to do so may result in damage to the DVD Shelf and could increase the risk of fire.



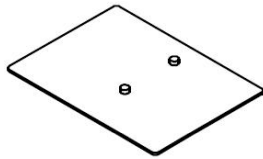
At least one qualified person should perform the installation procedure. Injury and/or damage can result from dropping or mishandling the DVD Shelf.

Parts List

Congratulations on the purchase of your REVENA Double AV Component Wall Shelf, model VLS-WS2B. This mount is shipped to you with all the proper installation hardware and components. Make sure that none of these components are missing and/or damaged before beginning the installation process. If there are parts missing and/or damaged, please stop the installation process and contact REVENA at 1-866-3REVENA (1-866-373-8362).



Arm assembly (Qty 1)



Glass shelf (Qty 2)



Cover plate (Qty 1)



#14x2" Wall anchor (Qty 2)



M4x10 Flat head screw (Qty 2)



#14x2" Combo head screw (Qty 2)



M6x10 Hex socket (Qty 4)



Bubble Level (Qty 1)

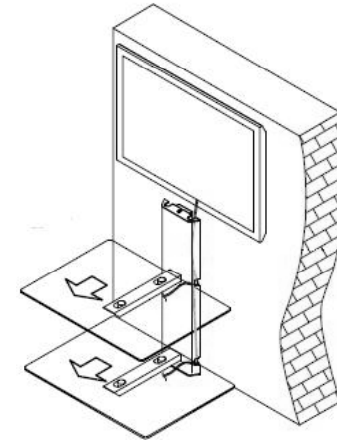


M6 Washer (Qty 2)



Allen wrench (Qty 1)

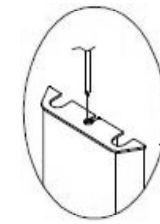
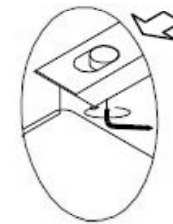
Cable Management



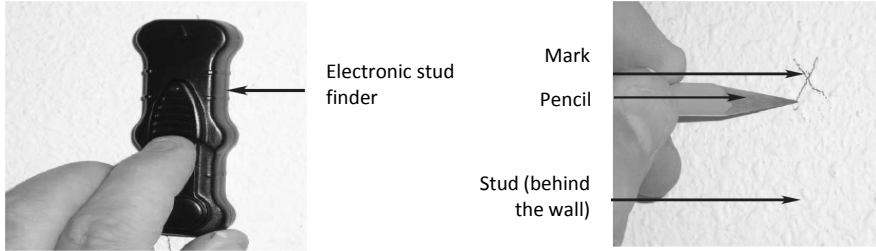
1. Loosen the Glass shelf screws and pull the Glass shelf to the forward position.
2. Loosen the Cover plate screws and pull the Cover plate to the forward position.
3. Run your cables through the access slots.
4. Push the Glass shelf back in place and tighten the Glass shelf screws.
5. Push the Cover plate back in place and tighten the Cover plate screws.



Do not over tighten the screws.



Dry Wall Installation



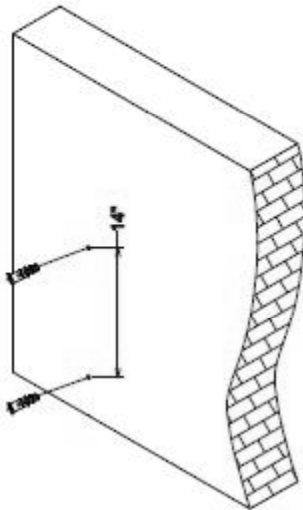
1. Determine your mounting location. Use a stud finder to ensure you are not near a stud.

2. Use a pencil to mark the position of the top hole, then measure down 14" and mark the second hole.

3. Using the screw driver or 3/8" drill, push through the dry wall and insert the Wall anchors.

4. Use the Anchor screw during the next steps.

5. Proceed to follow the steps of the Wood Stud Installation beginning on pages 5-6.



Installation Tools Needed (Recommended):



Electronic stud finder



Portable drill



1/8" Drill bit
(To be used for Wood Stud installations, pg 5-6)

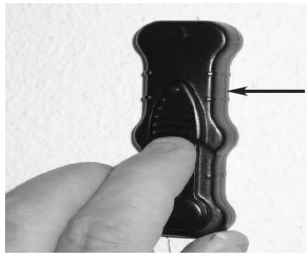


3/8" Drill bit
(To be used for dry wall installations, pg 7)

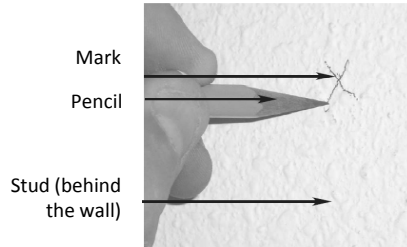


Phillips head screw driver

Wood Stud Installation



Electronic stud finder



1. Determine your mounting location.

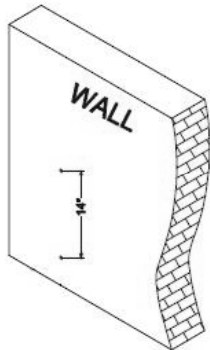
2. Use a stud finder to locate the nearest wall stud.

3. Once the stud has been located, use a pencil to mark the center of the stud location.

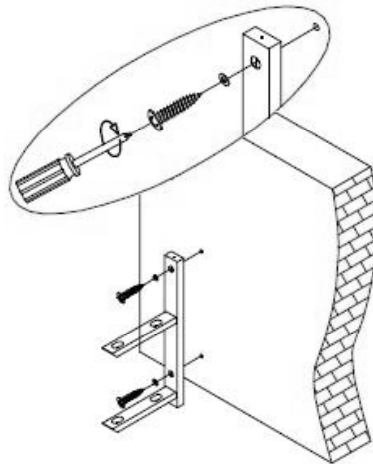
4. Drill your first hole with the 1/8" drill bit, then measure down 4.5" and drill your second hole.



This mark will be where the first pilot hole will be drilled. Center the arm assembly on this mark.



5. Place the Arm assembly over the holes and insert the #14x2" wood screw and flat washer. Tighten approximately 3/4 of the way.



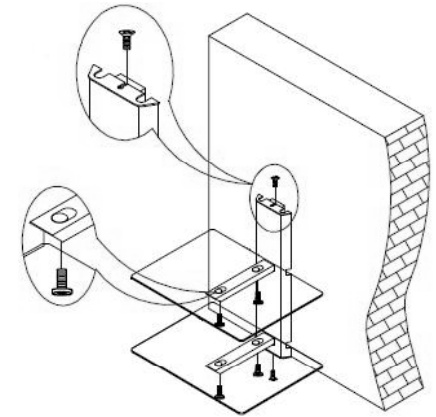
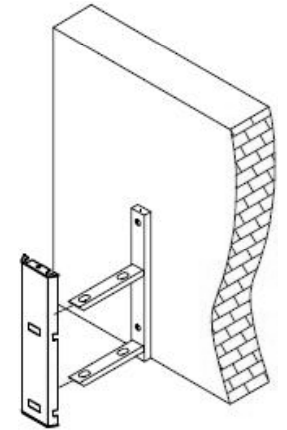
Wood Stud Installation

6. Place the bubble level on top of the Arm assembly and continue tightening the #14x2" screws, making sure the Arm assembly is level.

7. Attach the Cover plate but do not tighten with the screws.

8. Place the Glass shelf on the Arm assembly tighten the Glass shelf screws.

9. Install the Cover plate screws and tighten the screws in place.



Do not over tighten the screws.