

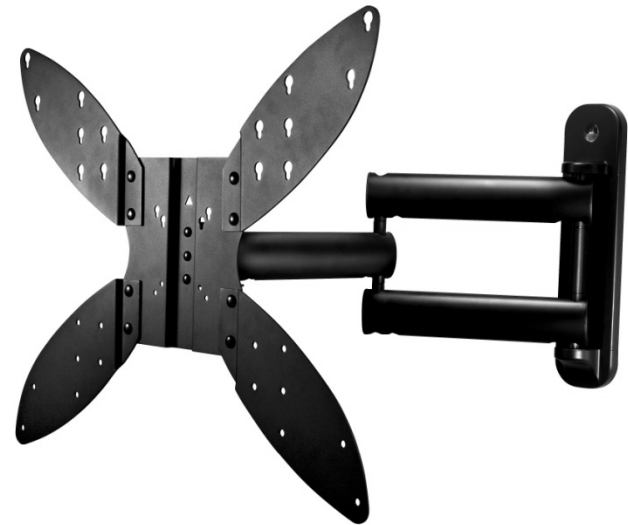


[www.revenaproducts.com](http://www.revenaproducts.com)

4915 SW Griffith Drive  
Suite 302  
Beaverton, OR 97005



## Installation Guide




Model  
VLS-SA4055


Universal Swingout Arm Mount  
for use with  
40" - 55" Flat Panel Displays


## Table of Contents

Warning and Caution Statements.....	1-2
Parts List .....	3-4
Installation Tools .....	4
Wood Stud Installation .....	5
Determining the Mounting Hardware .....	6
Attaching the TV to the Arm Assembly.....	7
Attaching the Adapter Plates to the Arm Assembly.. ..	7
Attaching the Plastic Covers.....	8
Final Adjustments.....	8
Technical Specifications .....	9
Warranty .....	10

## Warning Statements

 Prior to the installation of this product, the installation instructions should be read and completely understood. The installation instructions must be read to prevent personal injury and property damage. Keep these installation instructions in an easily accessible location for future reference.

 REVENA does not warrant against damage caused by the use of any REVENA product for purposes other than those for which it was designed or damage caused by unauthorized attachments or modifications, and is not responsible for any damages, claims, demands, suits, actions or causes of action of whatever kind resulting from, arising out of or in any manner relating to any such use, attachments or modifications.

 Safety precautions must be taken at all times.

## REVENA LIMITED LIFETIME WARRANTY



### What and Who is Covered by this Limited Warranty and for How Long

REVENA warrants this product to be free from defects in material and workmanship for the lifetime of the original owner of this product. The limited warranty is valid only for the original purchaser of the product.

### What Revena Will Do

At the sole discretion of REVENA, we will repair or replace any product or product part that is deemed defective. If REVENA chooses to replace a defective product or part, a replacement product or part will be shipped to you at no charge, but you must pay any labor costs.

### What is Not Covered; Limitations

REVENA DISCLAIMS ANY LIABILITY FOR DAMAGE TO MOUNTS, ADAPTERS, DISPLAYS, PROJECTORS, OTHER PROPERTY, OR PERSONAL INJURY RESULTING, IN WHOLE OR IN PART, FROM IMPROPER INSTALLATION, MODIFICATION, USE OR MISUSE OF ITS PRODUCTS.

REVENA DISCLAIMS ALL OTHER WARRANTIES, EXPRESS OR IMPLIED, INCLUDING WARRANTIES OF MERCHANTABILITY AND FITNESS FOR A PARTICULAR PURPOSE. REVENA IS NOT RESPONSIBLE FOR INCIDENTAL OR CONSEQUENTIAL DAMAGES, INCLUDING BUT NOT LIMITED TO, INABILITY TO USE ITS PRODUCTS OR LABOR COSTS FOR REMOVING AND REPLACING DEFECTIVE PRODUCTS OR PARTS. SOME STATES DO NOT ALLOW THE EXCLUSION OR LIMITATION OF INCIDENTAL OR CONSEQUENTIAL DAMAGES, SO THE ABOVE LIMITATION OR EXCLUSION MAY NOT APPLY TO YOU.

### What Customers Must Do for Limited Warranty Service

If you discover a problem that you think may be covered by the warranty, you **MUST REPORT** it in writing to the address below within thirty (30) days. Proof of purchase (an original sales receipt) from the original consumer purchaser must accompany all warranty claims. Warranty claims must also include a description of the problem, the purchaser's name, address, and telephone number. General inquiries can be addressed to REVENA Customer Service at 1-866-3REVENA (1-866-373-8362). Warranty claims will not be accepted over the phone or by fax.

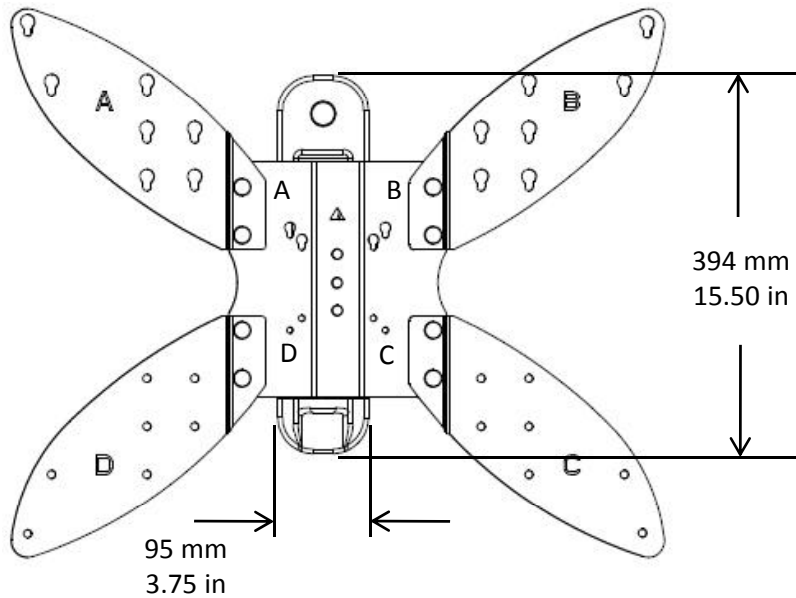
REVENA  
Attn: Warranty Claim  
4915 SW Griffith Drive  
Suite 302  
Beaverton, OR 97005

### How State Law Applies

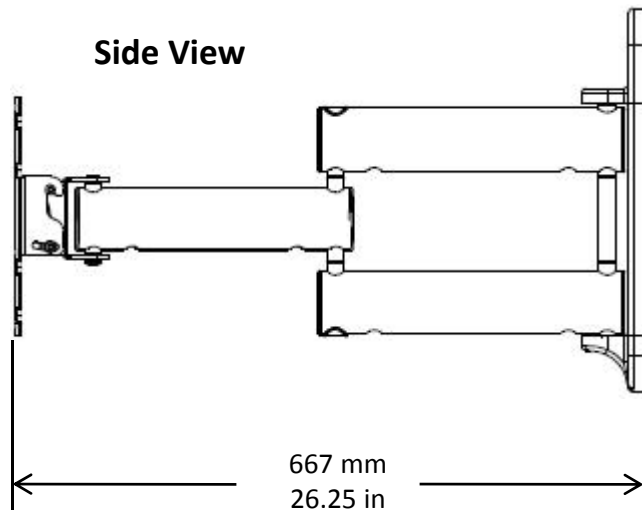
THIS WARRANTY GIVES YOU SPECIFIC LEGAL RIGHTS, AND YOU MAY ALSO HAVE OTHER RIGHTS WHICH VARY FROM STATE TO STATE.

## Technical Specifications

### Front View



### Side View



## Warning Statements

The surface must be capable of supporting at least five times the weight of the flat panel. If not, the mounting structure must be reinforced. The maximum weight that can be used with this product is 125 lbs.

Proper installation procedure by a qualified service technician, as outlined in the installation instructions, must be adhered to. Failure to do so could result in serious personal injury, or even death.

Safety measures must be practiced at all times during the assembly of this product. Use proper safety gear and tools for the assembly procedure to prevent personal injury.

## Caution Statements



It is recommended that a maximum of 5/8" plaster board be used when mounting to wooden studs.



Do not install on a surface that is prone to vibration, movement, or chance of impact. Failure to do so could result in damage to the flat panel and/or damage to the mounting surface.



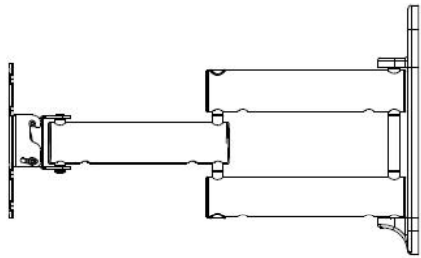
Do not install near heater, fireplace, direct sunlight, air conditioning or any other source of direct heat energy. Failure to do so may result in damage to the flat panel and could increase the risk of fire.



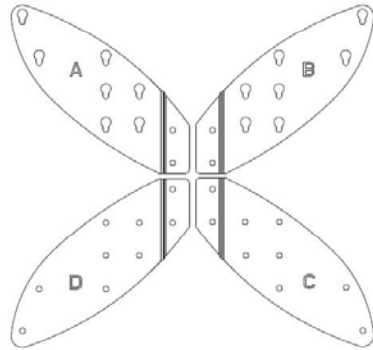
At least two qualified people should perform the installation procedure. Injury and/or damage can result from dropping or mishandling the flat panel.

## Parts List

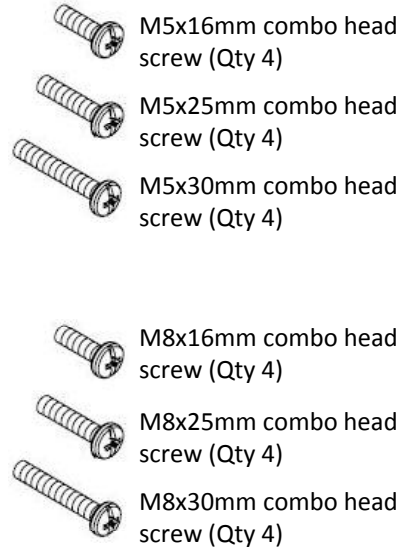
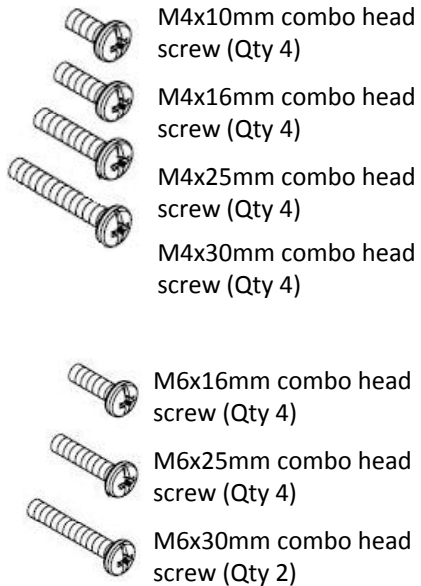
Congratulations on the purchase of your REVENA VLS-SA4055 flat panel mount. This mount is shipped to you with all the proper installation hardware and components. Make sure that none of these components are missing and/or damaged before beginning the installation process. If there are parts missing and/or damaged, please stop the installation process and contact REVENA at 1-866-3REVENA (1-866-373-8362).



Arm assembly (Qty 1)



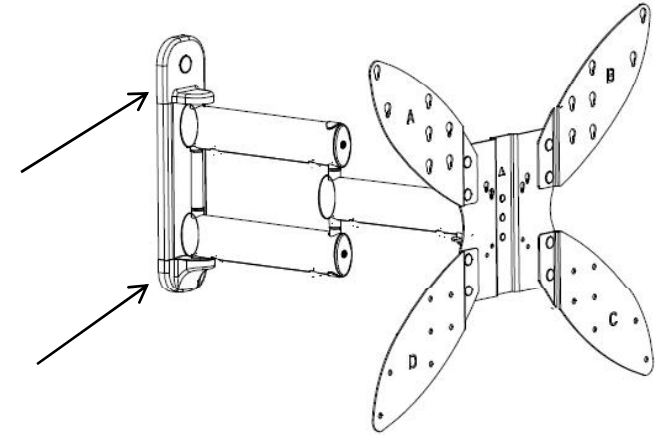
Adapter plates (Qty 4)



## Attaching the Plastic Covers

**Step 1.** With the TV installed, you are ready to install the plastic covers.

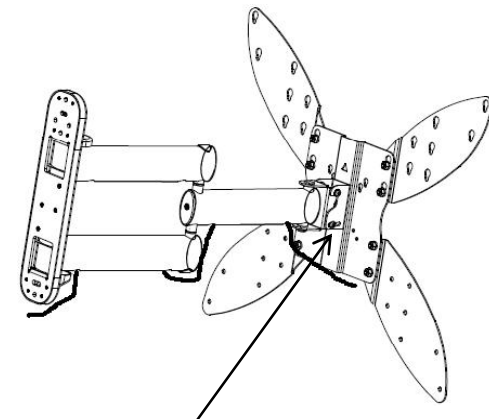
**Step 2.** Attach the top and bottom plastic cover.



## Final Adjustments

**Step 1.** To adjust the angle of tilt, adjust the allen screws to the desired angle.

**Step 2.** If necessary, insert cables /wires into the slots on the underside of the arm covers.



## Attaching the TV to the Arm Assembly



**Two people are required for this step.**

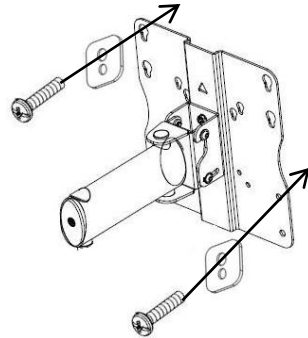
**Step 1.** After determining the appropriate hardware, you are ready to attach the TV to the Arm Assembly.

**Step 2.** Lift the TV so that the mounting holes on the back of the TV line up with the appropriate mounting hole pattern on the Arm Assembly. Inset a screw through a universal washer and push through the hole and into the TV.

**Step 3.** Use one (1) appropriate screw and one (1) washer per hole (see page 6).

**Step 4.** Repeat for all four mounting holes.

**Step 5.** Tighten the screws down so that the TV is secured to the Arm Assembly.



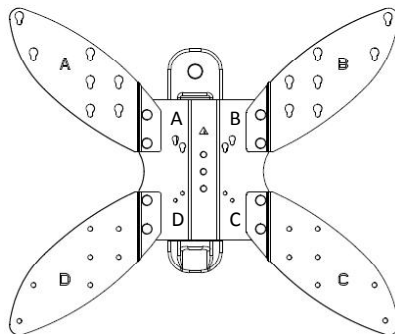
**Do not over tighten the screws.**

## Attaching the Adapter Plates to the Arm Assembly

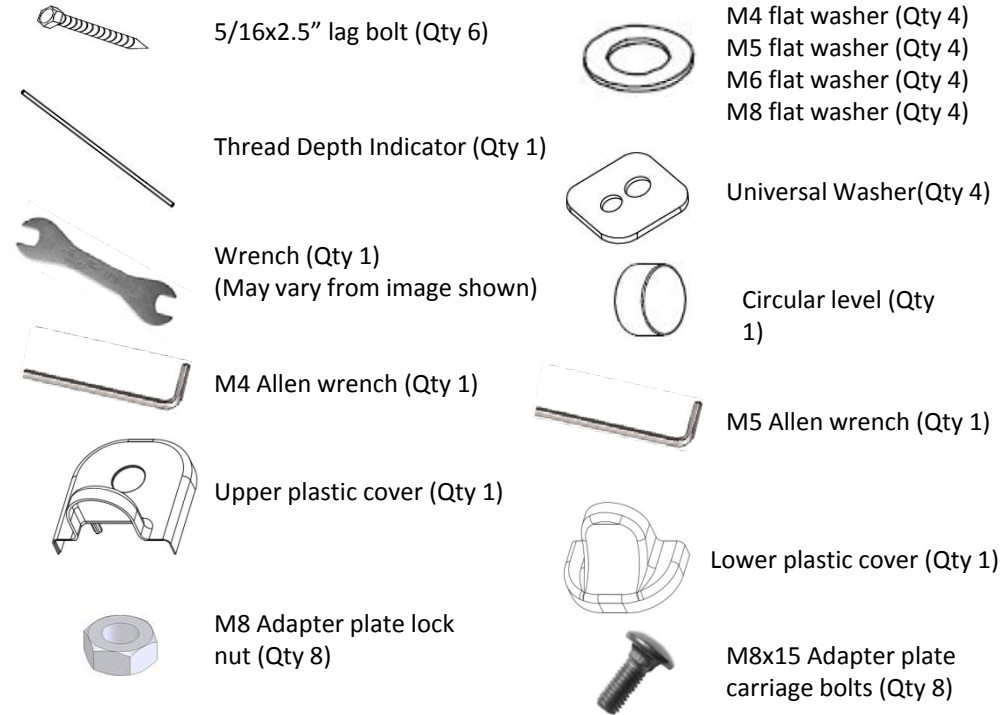


Use the following steps if your TV has a mounting pattern of 300x300mm, 400x200mm, 400x400mm, or 600x400mm.

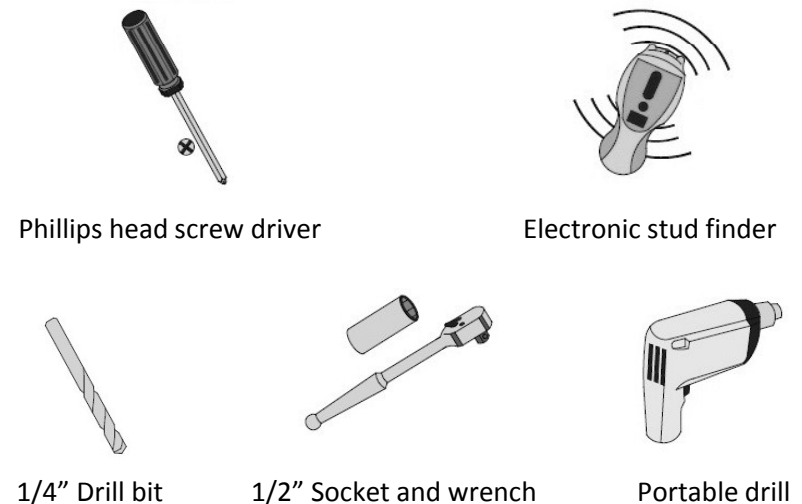
**Step 1.** Attach the four (4) adapter plates using the M8 lock nuts and carriage bolts.

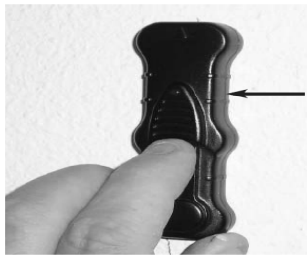


## Parts List

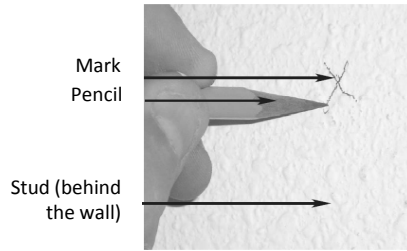


## Installation Tools Needed (Recommended):





Electronic stud finder



Mark  
Pencil

Stud (behind  
the wall)

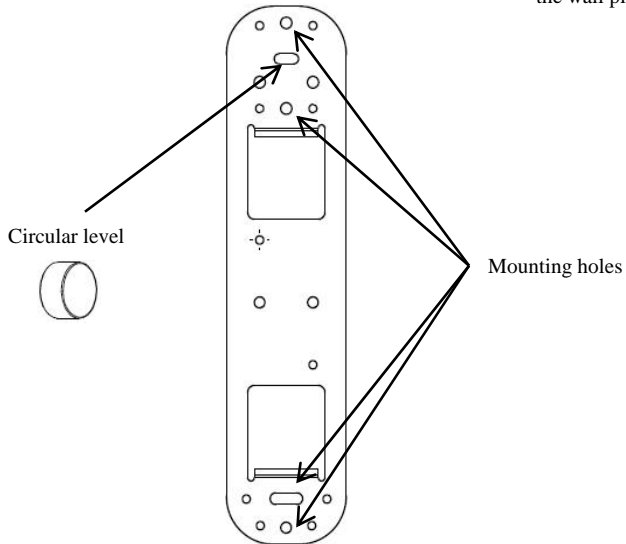
**Step 1.** Determine your mounting location.

**Step 2.** Use a stud finder to locate the nearest wall stud.

**Step 3.** Once the stud has been located, use a pencil to mark the center of the stud location.



This mark will be where the first pilot hole will be drilled. Center the wall plate on this mark.



Circular level

Mounting holes

**Step 4.** Attach the circular level supplied on the wall plate, straighten the wall plate before drilling.

**Step 5.** Place the wall plate over the stud marked with a X and use a pencil to mark where you will drill the holes.

**Step 6.** Use a drill and 1/4" drill bit to pre-drill the holes.

**Step 7.** Insert the 5/16x2" lag bolts and tighten with a wrench

## Determining the Mounting Hardware

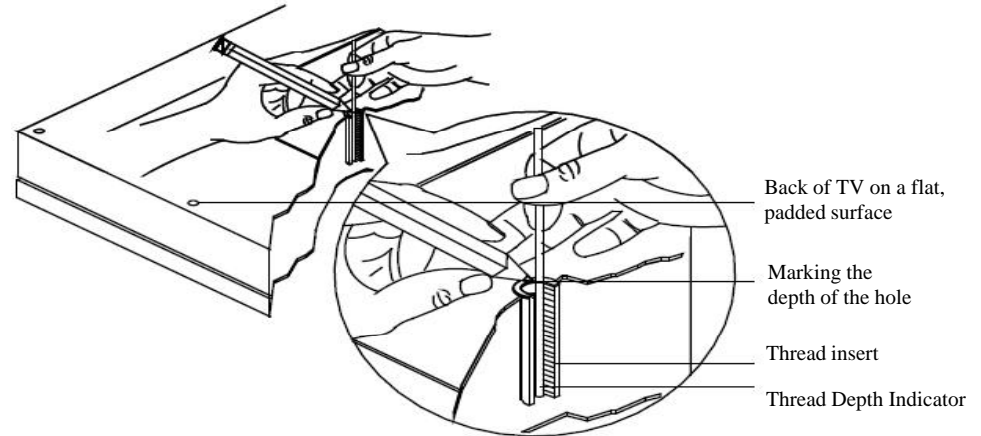
**Step 1.** Insert the Thread Depth Indicator (included) through the threaded hole on the back of your TV.

**Step 2.** Using a pencil, mark the depth of the thread insert on the Thread Depth Indicator.

**Step 3.** Compare and verify the depth of the remaining thread inserts.

**Step 4.** Locate the correct diameter screw for the thread insert.

**Step 5.** Compare your Thread Depth Indicator marking to the screw length.



Back of TV on a flat, padded surface

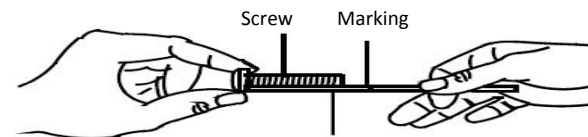
Marking the depth of the hole

Thread insert

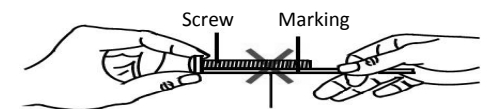
Thread Depth Indicator



If you selected a screw that is longer than the marking on the thread depth indicator, do not use this screw. The screw length must not bypass the marking. If so, select another screw size until you find the screw that comes the closest to your mark without going past the marking.



Thread Depth Indicator



Thread Depth Indicator